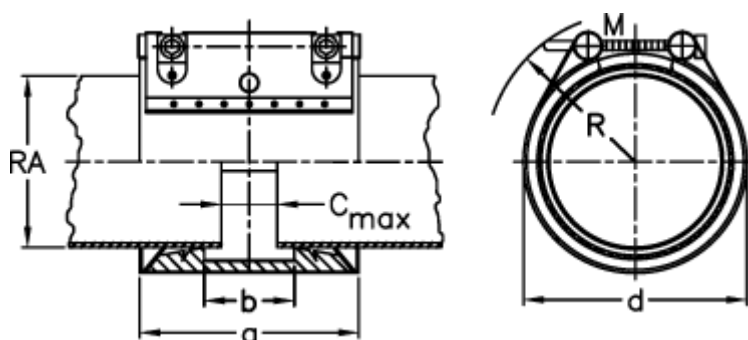


Article number: 025748200267

Description: Norma Connect pipe coupling
GRIP E W4 Ø=267,0 EPDM, 5,5 bar

Measures



a	= 140	RA min-RA max = 264,4 - 269,6
b	= 66.8	Weight a piece = 6.1
C max with insertion band	= 35	
d	= 292	
M (screw)	= M16	
Nominal pressure (bar)	= 5.5	
R	= 176	
RA	= 267	